

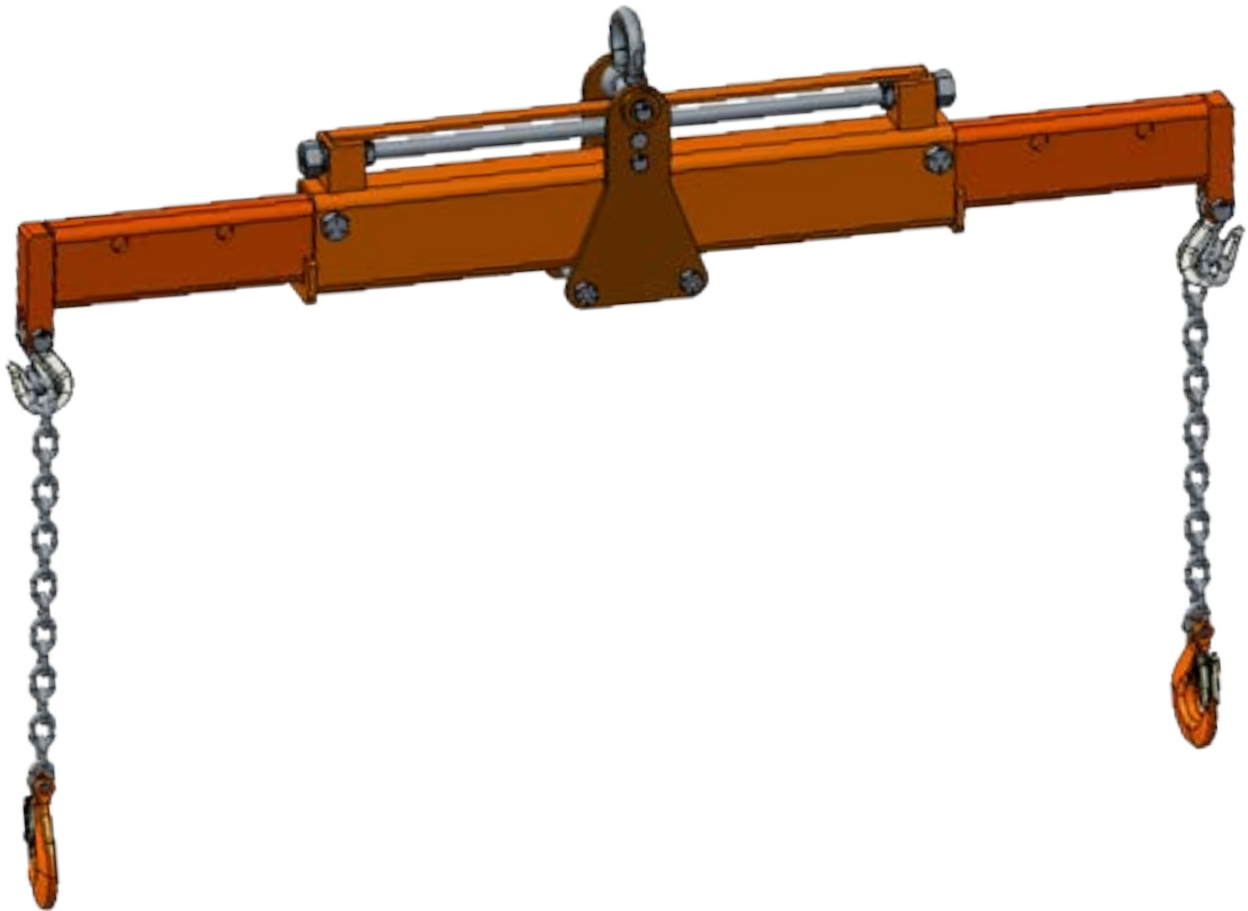
# 10,000 lb.

# LOAD LEVELER ASSEMBLY



Product No. KL30200

## OPERATING INSTRUCTIONS



AS4991-2004

**CE Compliant**



**WARNING: READ INSTRUCTIONS COMPLETELY PRIOR TO USE**

## INTRODUCTION:

This manual contains information to help you to learn about the safe and proper use of the KL30200 10,000lb Load Leveler. The instructions included in this manual are not necessarily all-inclusive. K-Line® cannot anticipate all conceivable or unique situations. You must make sure all conditions and procedures do not jeopardize your personal safety.

**DISCLAIMER:** All information, images, and specifications contained in this manual are based on the latest information available at the time of publication. K-Line® reserves the right to make changes at any time without notifying any person or organization of such revisions or changes. K-Line® is not liable for incidental or consequential damages (including lost profits) in connection with the furnishing, performance, or use of this material. If necessary, obtain additional information from the component manufacturer.

## SAFETY PRECAUTIONS:

**Before using the KL30200 10,000lb Load Leveler, read, understand, and follow the safety precautions and operating instructions outlined in this manual.** This equipment must be operated by qualified personnel. The operator must also be familiar with the component this tool is being used to lift.

- If the operator cannot read English, operating instructions and safety precautions must be read and discussed in the operator's native language.
- Si el operador no puede leer inglés, las instrucciones de operación y las precauciones de seguridad deberán leerse y comentarse en el idioma nativo del operador.
- Si l'utilisateur ne peut lire l'anglais, les instructions et les consignes de sécurité doivent lui être expliquées dans sa langue maternelle.

## PERSONAL PROTECTION/IMPORTANT INFORMATION

### ! WARNING



**Read the Manual:** To avoid personal injury or death, carefully read and understand all instructions before attempting to operate any equipment or tools. Do not operate or work on a machine unless you read and understand the instructions and warnings in this and all other applicable manuals.



**Ear Protection:** To prevent possible damage to your hearing, always wear ear protection when working around noise generating tools.



**Eye & Face Protection:** To avoid eye injury, always wear protective glasses or face shield. Make sure no one can be injured by flying objects or debris when using tools or working on a component.

## HAZARD AVOIDANCE

### ! WARNING



**Inspect Equipment:** Inspect prior to each use for dents, cracks, bends, or worn parts. If damage is found, discontinue use until inspected and released by an approved inspector at the dealership.



**Crushing Hazard:** The complete KL30200 10,000lb Load Leveler weighs approximately 95 lbs (43kg). Personal injury can result from dropped tooling. Use caution when transporting, installing, removing, and storing the tooling.



**Pinch Point Hazard:** Personal injury can result from pinch points. Use caution when assembling, installing, and removing the KL30200. To avoid serious injury, DO NOT place your hand or any part of your body between the KL30200 Load Leveler and its components.

## PERSONAL PROTECTION/IMPORTANT INFORMATION

### ! WARNING



**Fire/Smoking Hazard:** Clean up all leaked or spilled fluids immediately. Oil, fuel, or cleaning fluid leaked or spilled onto any hot surfaces or electrical components can cause a fire, resulting in personal injury or death.



**Slip & Fall Hazard:** Personal injury can result from slips or falls. DO NOT leave tools or components laying around the work area. Clean up all spilled fluids immediately.

## PROHIBITED ACTION

### ! WARNING



To avoid serious or fatal injury, only use the KL30200 10,000lb Load Leveler for its intended purpose, which is lifting components into position for installation and removal. Attach BOTH arms to the load being lifted; do NOT use a single arm setup.



To avoid serious or fatal injury, do not exceed the Working Load Limit (WLL) of 10,000lbs (4536kg) for any component being supported by the KL30200 10,000lb Load Leveler.

## OBJECTIVE:

The KL30200 10,000lb Load Leveler is designed to be a safe and effective tool to handle and position large, bulky components. The horizontal tilt can be adjusted to compensate for off-center loads or adjusted to a certain angle for a component being positioned. Please take a few minutes to review this user's guide in order to familiarize yourself with all of the included components of the 10,000lb Load Leveler Instruction Procedures and Safety Warnings.

## HAZARD AVOIDANCE

### ! WARNING



**Additional Crushing Hazard:** Personal injury or death can result from improper use of this tool and supporting of the component. Ensure the KL30200 10,000lb Load Leveler is securely attached to the component before removing any hardware. Do not work beneath any supported tool.



To avoid damage to the tooling, do not weld on the components. Do not modify the KL30200 10,000lb Load Leveler in any way by welding, heating with a torch, drilling, machining, or grinding.

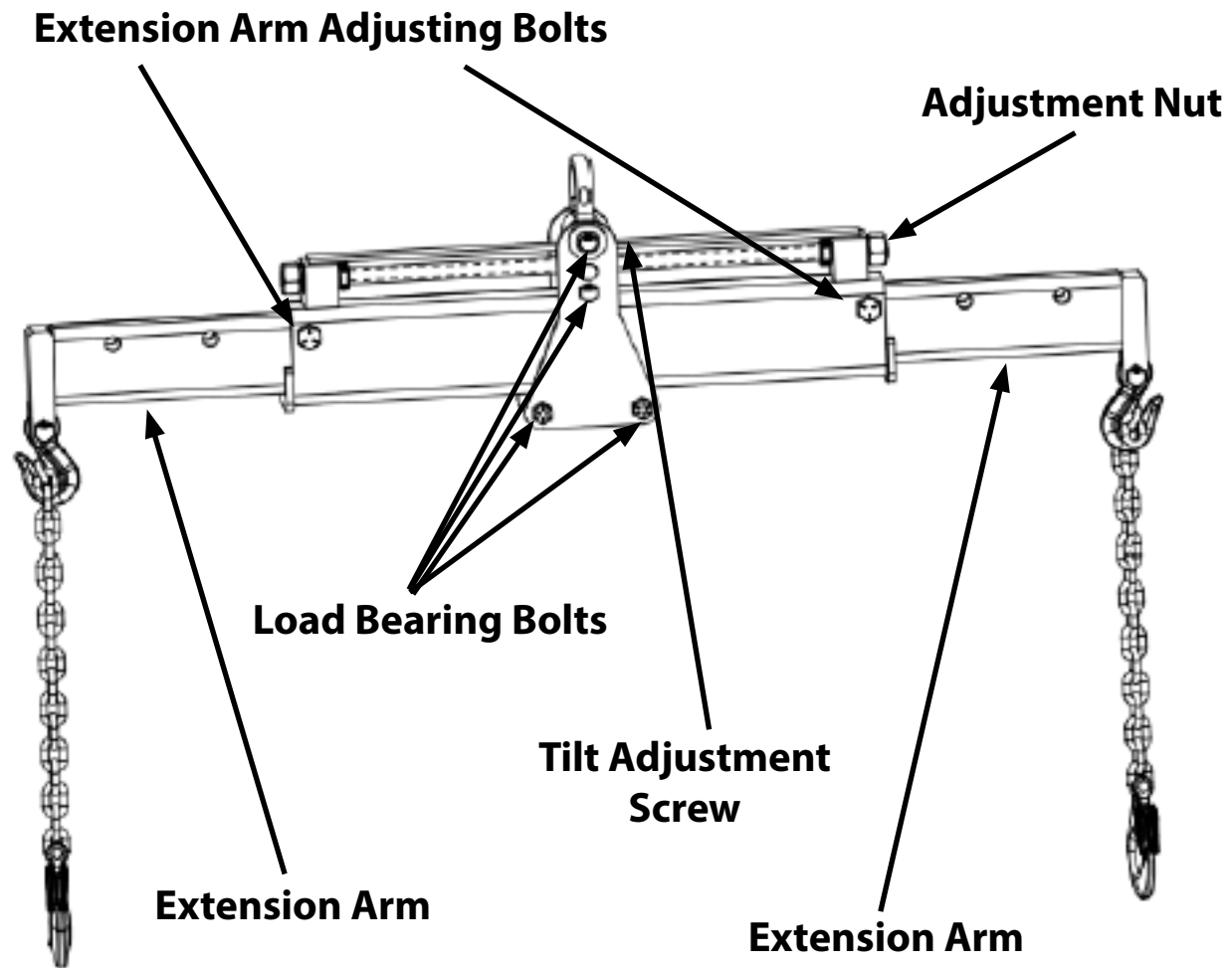
**SPECIFICATIONS:**

Part #	Description	Extension Arm Range	Chain Grade(ASTM)	Load Limit
KL30200	10,000 lb. Load Leveler	36"(914.4mm)-56"(1422.4mm)	100	10,000 lb. (4535.9 kg)

**OPERATING INSTRUCTIONS:**

1. Hook the Load Leveler to a Crane or Hoist.
2. Attach the 2 Grade 100 Bearing Chain Assemblies to the component. Adjust the Extension Arms in or out to keep the chain angle at a minimum.
3. Verify the Extension Arm Adjusting Bolts are securely fastened. See **Figure 1**

**⚠ DO NOT ever remove or replace any of the Load Bearing Bolts. See Figure 1.**

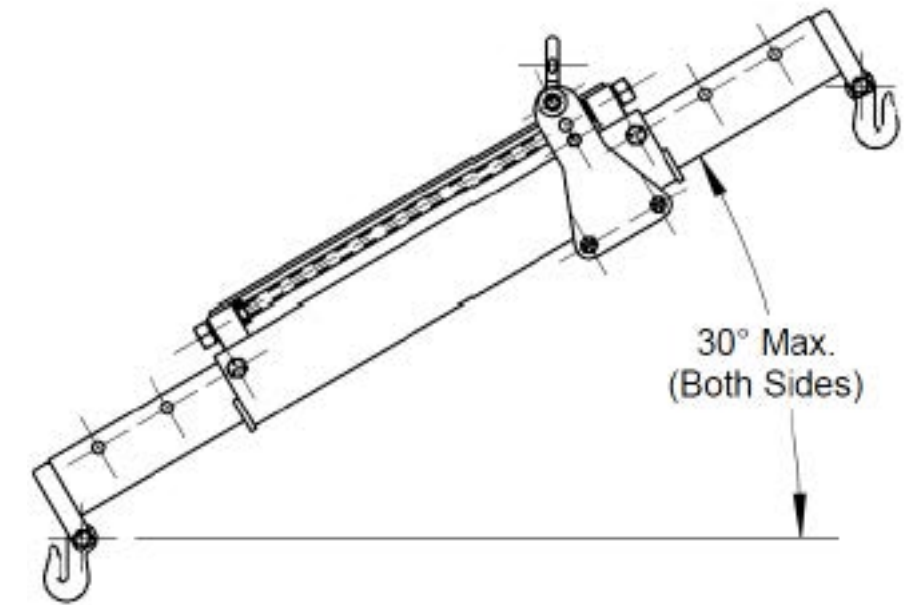


**Figure 1**

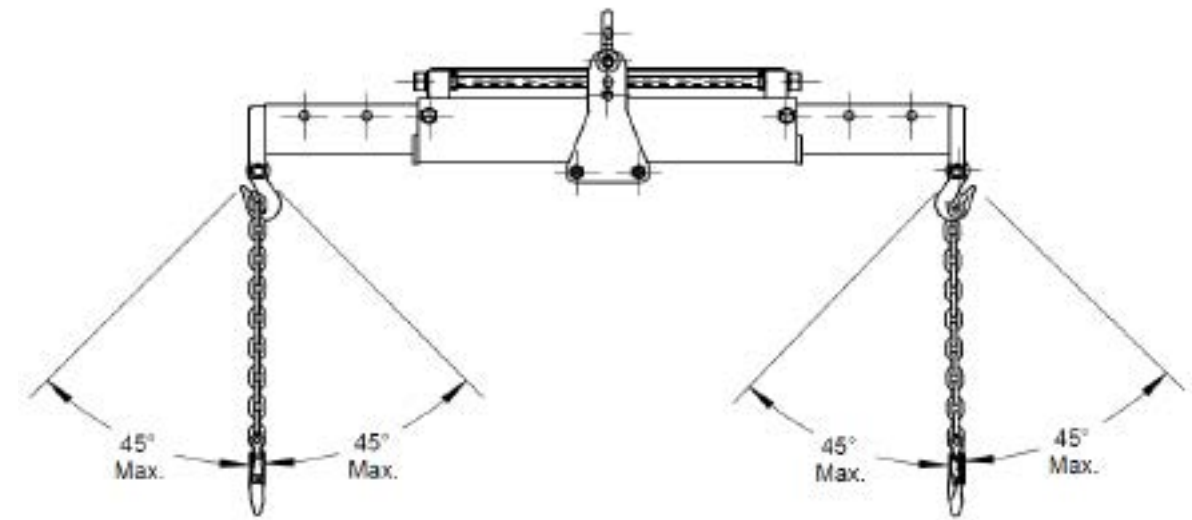
Lift the component enough to locate the center of balance. Level or adjust the angle of the Load Leveler by hand using a wrench to turn either adjustment nut on the Tilt Adjustment Screw. **DO NOT** use an impact wrench.

**⚠ CAUTION: To maintain stability and ensure the Grade 100 Load Bearing Chain Assemblies are not stressed beyond their capacities.**

- **DO NOT** adjust the Load Leveler to an angle greater than 30 degrees. See Figure 2.
- **DO NOT** spread the Grade 100 Chains more than a total of 90 degrees for both chains. See Figure 3.



**Figure 2**



**Figure 3**

## MAINTENANCE:

1. For optimal performance of the Tilt Adjustment regularly clean debris from the Tilt Adjustment Screw and lubricate with general purpose grease . See **Figure 1**
2. Ensure the four Load Bearing Bolts are fastened securely. See **Figure 1**

**K-LINE® IS NOT RESPONSIBLE FOR DAMAGE/INJURY RESULTING FROM THE USE OF THIS PRODUCT.**

## Declaration of Conformity

Name of Manufacturer	K-Line Industries, Inc.
Contact Information of the Manufacturer	315 Garden Ave. Holland, MI, USA 49424 tel: 1-800-824-5546 fax: 1-800-528-9138 email: cservice@klineind.com
Trade Name, Model Number, and Serial Number of the Tool (where applicable)	10,000lb Load Leveler As., 4430200
Description of the Tool	This tool is used to handle and horizontally position large, bulky components up to 10,000lbs.
The construction, testing, and certifying of the tool is in accordance with the following Directive and Standards:  2006/42/EC – Machinery Directive EN 12100-1:2003 +A1:2009 – Safety of Machinery EN 12100-2:2003 +A1:2009 – Safety of Machinery AS4991-2004 – Lifting Devices  CE Certified in 2015  President <u></u> (Tom Knowles)  Director of Engineering <u></u> (Chris Rosich)  January 20, 2016	
 <b>K-Line</b> INDUSTRIES, INC. Special Service Tools 315 Garden Avenue • Holland, MI 49424 • P/c (616) 396-3564 • Fax: (616) 396-8974 • www.klineind.com	



**FOR PRODUCT INFORMATION OR  
TO PURCHASE REPLACEMENT PARTS  
CONTACT K-LINE CUSTOMER SERVICE AT  
**1-800-824-KLINE (5546)**  
**CSERVICE@KLINEIND.COM**  
**KLINEINDUSTRIES.COM****